

# Spyder3 CL SC-34

Bilinear Color CameraLink Linescan Camera



## Overview

### Low-cost, ease of use, flexibility.

Teledyne DALSA's Spyder3 Color CL camera is a color line scan camera based on the successful Spyder3 dual line scan monochrome model. This camera provides a low cost solution with high color fidelity, flexibility, and ease of use and setup.

The Spyder3 Color CL has the red and blue color pixels alternating in one line and all the green pixels in the other line with no spacing between the two lines to minimize image artifacts. The camera offers several color output format options, including RGB, RG/BG, or G only to meet different imaging requirements.

The temperature range performance of the SC-34 models has increased from an operating temperature of 0 °C to 50 °C to an operating temperature of 0 °C to 65 °C.

The Spyder3 Color CL camera also incorporates advanced features such as flat field correction, automatic white balance, and the camera's are pre-calibrated to light sources such as white LEDs for improved ease of use.

## Key Features

- 2k and 4k resolutions
- Extended temperature range
- RGB, RG/BG, or G output formats
- Pre-calibrated light sources
- Cost-effective
- Ease of use
- Camera Link configuration

## Programmability

- Automatic white balance
- Color correction
- Bidirectional
- Flat field correction

## Typical Applications

- Wood and tile inspection
- Cotton and textile
- Food, drug, and tobacco inspection
- Recycling sorting
- General machine vision

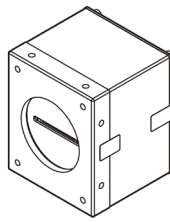
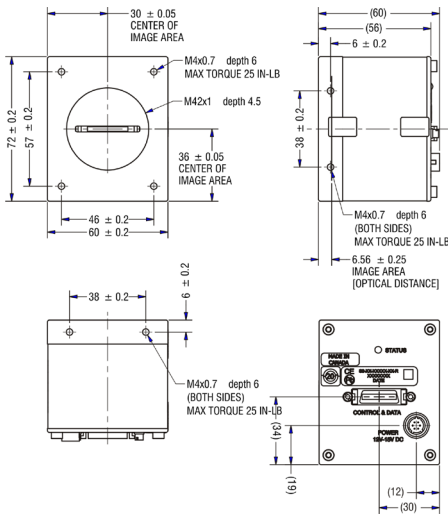
## Specifications

|                       |  |
|-----------------------|--|
| Resolution            | 2048 x 2 pixels / 4096 x 2 pixels  |
| Data Rate             | 80 megapixels per second   |
| Max. Line/Frame Rate  | 18 kHz (2k) / 9 kHz (4k)   |
| Pixel Size            | 14 $\mu\text{m}$ x 14 $\mu\text{m}$ (2k) / 10 $\mu\text{m}$ x 10 $\mu\text{m}$ (4k)          |
| Data Format           | 8 bit, 12 bit selectable   |
| Output                | Camera Link  |
| Lens Mount            | M42, C, F (2k)<br>M58 (4k)   |
| Responsivity          | 8 DN (nJ/cm <sup>2</sup> ) @ 0dB, 8 bit (2k)<br>4 DN (nJ/cm <sup>2</sup> ) @ 0dB, 8 bit (4k) |
| Dynamic Range         | 60 dB  |
| Nominal Gain Range    | 0~20   |
| Size                  | 72 mm x 60 mm x 60 mm, 2k camera<br>60 mm x 72 mm x 60 mm, 4k camera                         |
| Mass                  | 300 g  |
| Operating Temp        | 0 °C to 65 °C  |
| Power Supply          | +12 V to +15 V   |
| Power Dissipation     | < 9 W  |
| Regulatory Compliance | CE and RoHS  |
| Control               | MDR26 female Camera Link   |
| Data                  | Shared with control  |
| Power                 | Hirose 6 HR10 pin male   |
| Example Part Number   | SC-34-04k80-00-R   |

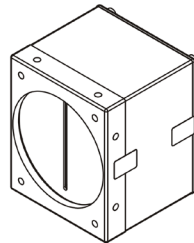
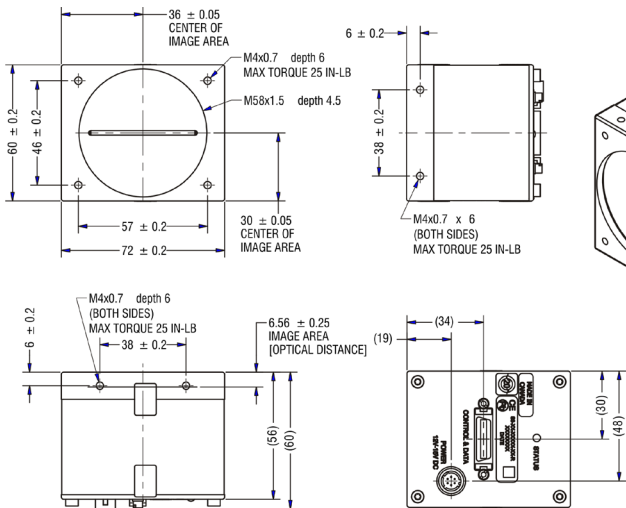
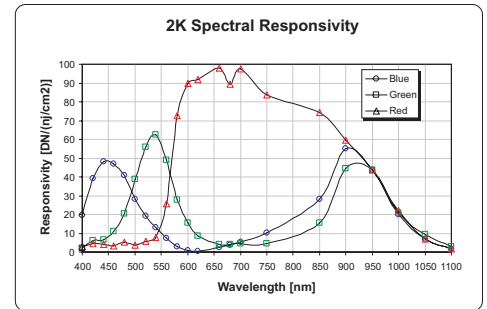
# Spyder3 CL SC-34

Bilinear Color CameraLink Linescan Camera

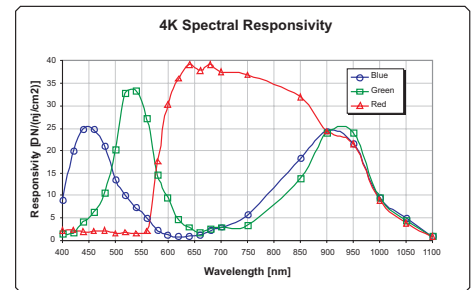
The Spyder3 Color CL camera is a cost-effective and easy-to-use bilinear color linescan camera.



2k models



4k model



[www.teledynedalsa.com](http://www.teledynedalsa.com)

## Americas

Boston, USA  
+1 978-670-2000  
sales.americas@teledynedalsa.com

## Europe

Munich, Germany  
+49 8142-46770  
sales.europe@teledynedalsa.com

## Asia Pacific

Tokyo, Japan  
+81 3-5960-6353  
sales.asia@teledynedalsa.com

Shanghai, China  
+86 21-3368-0027  
sales.asia@teledynedalsa.com

Teledyne DALSA is an international leader in digital imaging and semiconductors and has its corporate offices in Waterloo, Canada. Teledyne DALSA reserves the right to make changes at any time without notice. Teledyne DALSA © 2011. Revision number 03-070-20050-00. Revision date September 14 2011.

